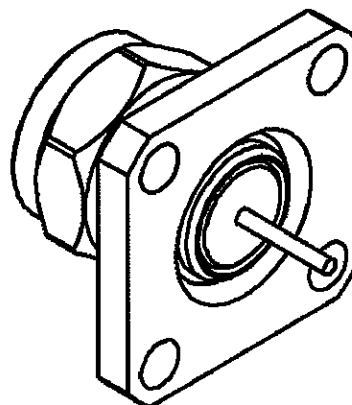
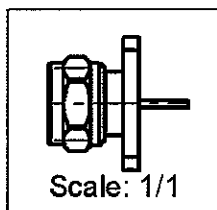
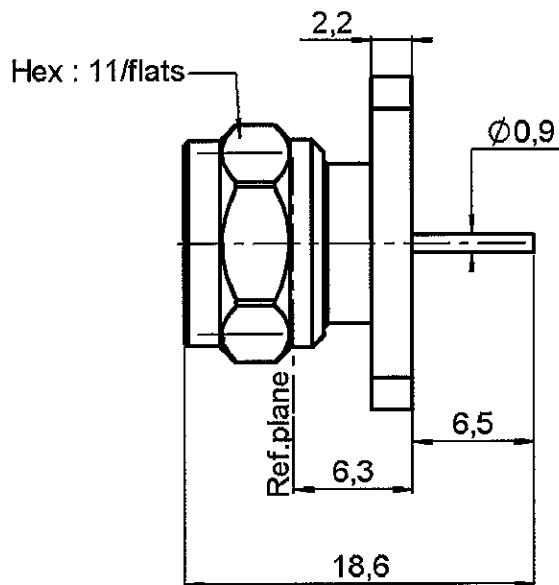
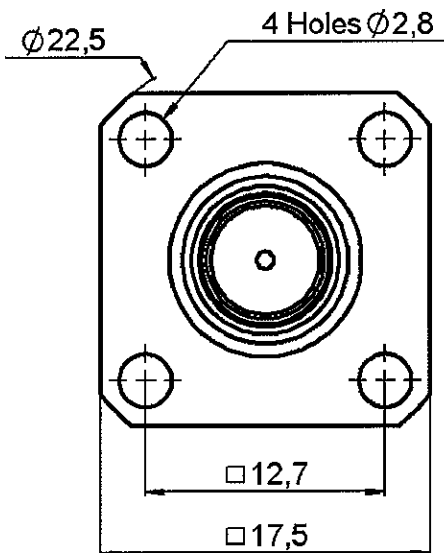


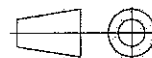
**MALE SQUARE FLANGE RECEPTACLE  
WITH CYLINDRICAL CONTACT**

**R139.433.023**

Series : DT-F



All dimensions are in mm.



COMPONENTS	MATERIALS	PLATING (µm)
BODY	BRASS	GOLD 0.2 OVER NICKEL PHOSPHORUS 2
CENTER CONTACT	BRASS	GOLD 0.5 OVER NICKEL PHOSPHORUS 2
OUTER CONTACT		
INSULATOR	PTFE	
GASKET		
OTHERS PARTS	BRASS	GOLD 0.2 OVER NICKEL PHOSPHORUS 2
-	-	-
-	-	-

Issue : 0544 A

In the effort to improve our products, we reserve the right to make changes judged to be necessary.



**MALE SQUARE FLANGE RECEPTACLE  
WITH CYLINDRICAL CONTACT**

**R139.433.023**

Series : DT-F

**PACKAGING**

Standard	Unit	Other
100	'W' option	Contact us

**SPECIFICATION**

**ELECTRICAL CHARACTERISTICS**

Impedance		75 Ω
Frequency		0-3 GHz
VSWR	1.10 +	0.050 x F(GHz) Maxi
Insertion loss		0.2 √F(GHz) dB Maxi
RF leakage	-(	NA - F(GHz)) dB Maxi
Voltage rating		500 Veff Maxi
Dielectric withstanding voltage		1500 Veff mini
Insulation resistance		5000 MΩ mini

**ENVIRONMENTAL**

Operating temperature	-40/+80 ° C
Hermetic seal	NA Atm.cm3/s
Panel leakage	NA

**OTHER CHARACTERISTICS**

Assembly instruction NA

Others :

**MECHANICAL CHARACTERISTICS**

Center contact retention	
Axial force – Mating end	15 N mini
Axial force – Opposite end	15 N mini
Torque	NA N.cm mini
Recommended torque	
Mating	60 N.cm
Panel nut	NA N.cm
Mating life	1000 Cycles mini
Weight	7.410 g

Issue : 0544 A

In the effort to improve our products, we reserve the right to make changes judged to be necessary.



**RADIALL®**